



# SURGE & LIGHTNING PROTECTION

Protect your equipment from electrical disturbances with Dehn Surge & Lighting Protection solutions. Our advanced products safeguard against voltage spikes and electromagnetic interference, ensuring the stability and longevity of your electronic devices.



THINK ELECTRICAL

# SURGE PROTECTION DEVICES

**Integrated Lightning Arrester with Backup Fuse: Class 1 - Fixed format with flag indication.**



Code	Description	$I_{imp}$ (10/350 $\mu$ s)	Aux	Poles Protected	$U_p$	$U_n$	$U_c$
961200	DEHNvenCI 1	25kA	-	1PH	$\leq 1500V$	230V	255V
961205	DEHNvenCI 1 FM	25kA	1C/O	1PH	$\leq 1500V$	230V	255V
961180	DEHNgap	100kA	-	N-E	$\leq 1500V$	-	255V
961185	DEHNgap FM	100kA	1C/O	N-E	$\leq 1500V$	-	255V

961200 961180 Busbar for connection of multiple arrestors to earth: 900411 (3P), 900417 (4P)

## Combined Lightning & Surge Protection : Class 1+2

Over Current Protection Required. Plug-in with flag indication. Maximum backup fuse: 125A / 315A



Code	Description	$I_n$ (8/20 $\mu$ s)	$I_{imp}$ (10/350 $\mu$ s)	Aux	Poles Protected	$U_p$	$U_n$
951315	DEHNventil M TT FM	25/100kA*	25/100kA*	1C/O	3PH + N	$\leq 1500V$	230/400V
951115	DEHNventil M TT 2P FM	25/50kA*	25/50kA*	1C/O	1PH + N	$\leq 1500V$	230V

Spare plug-in modules: 1PH: 951001, N-E: 951100 \*L-N / N-E

## Combined Lightning & Surge Protection: Class 1+2+3

Over Current Protection Required. Plug-in with flag indication. Maximum backup fuse: 100A/250A



Code	Description	$I_n$ (8/20 $\mu$ s)	$I_{imp}$ (10/350 $\mu$ s)	Aux	Poles Protected	$U_p$	$U_n$
956315	DEHNventil M2 TT 255 FM	25kA/100kA*	25kA/100kA*	1C/O	3PH + N	$\leq 1500V$	230/400V
956115	DEHNventil M2 TT 255 FM	25kA/50kA*	25kA/50kA*	1C/O	1PH + N	$\leq 1500V$	230V

956115 Spare plug-in modules: 3PH: 956031, 1PH: 956011 \*L-N / N-E

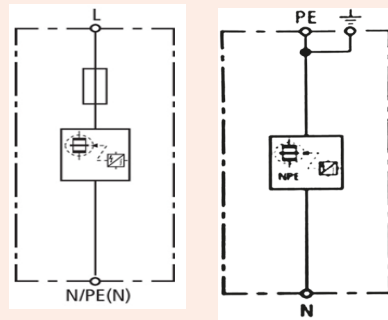
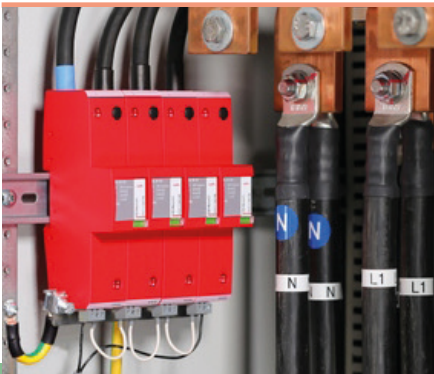
## Combined Lightning & Surge Protection: Class 1+2

Over Current Protection Required. Plug-in with flag indication. Maximum backup fuse: 160A.



Code	Description	$I_n$ (8/20 $\mu$ s)	$I_{imp}$ (10/350 $\mu$ s)	Aux	Poles Protected	$U_p$	$U_n$
941110	DEHNshield d TT 2P	12.5/25kA*	12.5/25kA*	-	1PH + N	1.5kV	230V
941310	DEHNshield d TT	12.5/50kA*	12.5/50kA*	-	3PH + N	1.5kV	230/400V

941310 \* L-N / N-E

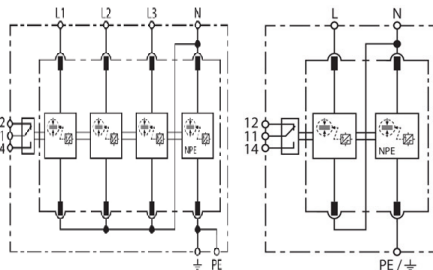


### DEHNVEN CI

- Spark-gap based combined lightning and surge arrester with an integrated backup fuse Capable of carrying lightning currents.
- High Lightning Discharge capacity up to 25kA (10/350)  $\mu$ S
- Maximum system availability due to radax flow follow current limitation.

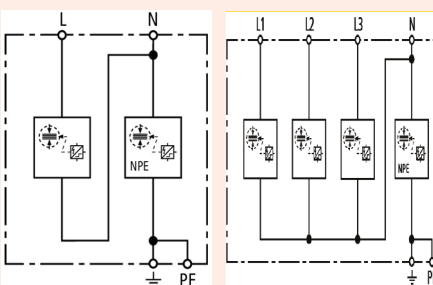
### DEHNGAP

- Total current arrester specifically designed for installation in 3+1 and 1+1 configurations of TT systems.
- Creepage discharge spark gap technology.



### DEHNVENTIL M2 TT

- Prewired spark-gap based type2 + type3 combined lightning arrester and surger arrester constituting of a base plug and a single plug-in protection module.
- Easy replacement of protection modules.
- Capable of protecting terminal equipment .
- RAC spark gap technology that is powerful yet gentle on terminal devices.



### DEHNSHIELD D TT

- Application-optimised and prewired spark-gap based type1 + type2 combined lightning current and surge arrester.
- Compact design due to space saving spark gap technology with a width of only one module /pole
- High follow current extinguishing capacity ( $I_n = 25 \text{ kA}_{rms}$ )

## SURGE PROTECTION DEVICES

### Surge Arrester: Class 2

Over Current Protection Required. Plug-in with flag indication. Maximum backup fuse: 125A.



952110



952310

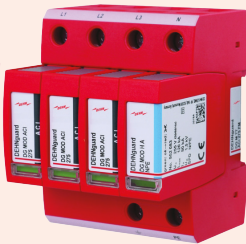
Code	Description	In (8/20 $\mu$ s)	I <sub>max</sub> (8/20 $\mu$ s)	Aux	Poles Protected	Up	Un
952310	DEHNGuard M TT FM	20kA	40kA	-	3PH + N	≤1500V	230/400V
952315	DEHNGuard M TT FM	20kA	40kA	1C/O	3PH + N	≤1500V	230/400V
952110	DEHNGuard M TT 2P	20kA	40kA	-	1PH + N	≤1500V	230V
952115	DEHNGuard M TT 2P FM	20kA	40kA	1C/O	1PH + N	≤1500V	230V

Spare plug-in modules: 1PH: 952010, N-E: 952050

### Surge Arrester with ACI: Class 2 - Plug-in with flag indication



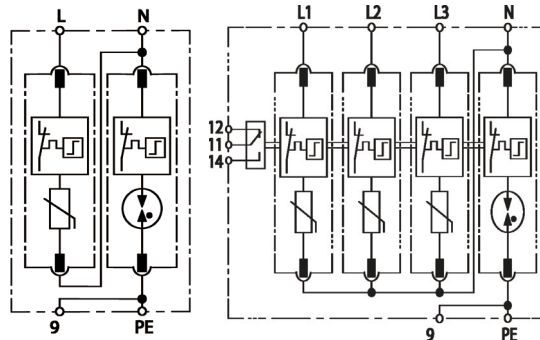
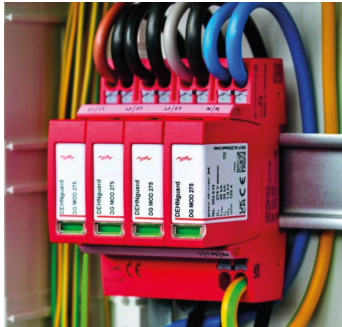
952121



952341

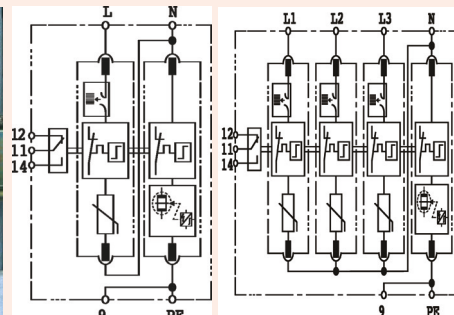
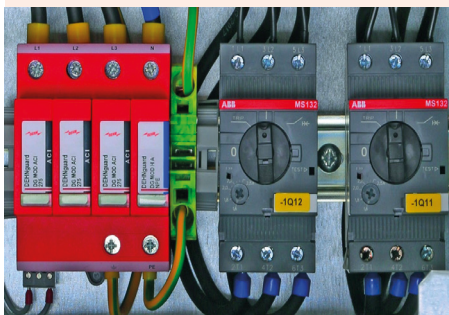
Code	Description	In (8/20 $\mu$ s)	I <sub>max</sub> (8/20 $\mu$ s)	Aux	Poles Protected	Up	Un
952121	DEHNGuard M TT ACI FM	20/80KA	-	1C/O	1PH + N	≤1500V	230V
952341	DEHNGuard M TT ACI FM	20/80KA	-	1C/O	3PH + N	≤1500V	230/400V

#### DEHNGUARD M TT



- Prewired complete unit consisting of a base part and plug-in protection modules.
- Energy coordination with other arresters of the Red/Line product family
- High discharge capacity due to heavy duty zinc oxide varistors/spark gaps
- High device reliability due to "Thermo Dynamic Control" arrester monitoring
- Easy replacement of protection modules without tools
- Vibration and shock-tested according to EN 60068-2

#### DEHNGUARD ACI FM



- New technology "Advanced Circuit Interruption" (ACI) integrated in the protection module, consists of a switch / spark gap combination.
- TOV withstand also at 440V (AC)
- High system reliability, no tripping of 32 A gG fuses
- Zero leakage current due to galvanic isolation by ACI switch unit.
- Energy coordination with other arresters of the Red/Line product family
- Vibration and shock-tested according to EN 60068-2

## SURGE PROTECTION DEVICES

### Surge Arrester: Class 2

Over Current Protection Required. Plug-in with flag indication. Maximum backup fuse: 125A.



952030

952070

Code	Description	In (8/20μs)	I <sub>max</sub> (8/20μs)	Aux	Poles Protected	Up	Uc
952070	DEHNGuard S 275	20kA	40kA	-	1PH (L-N/E)	≤1500V	275V
952090	DEHNGuard S 275 FM	20kA	40kA	1C/O	1PH (L-N/E)	≤1500V	275V
952030	DEHNgap C S (Spark Gap)	20kA	40kA	-	N-E	≤1500V	255V
952035	DEHNgap C S FM (Spark Gap)	20kA	40kA	1C/O	N-E	≤1500V	255V
952094	DEHNGuard S 385 FM	20kA	40kA	1C/O	1PH (L-E)	≤1750V	385V
952075	DEHNGuard S 440	20kA	40kA	-	1PH (L-E)	≤1700V	585V
952095	DEHNGuard S 440 FM	20kA	40kA	1C/O	1PH (L-E)	≤1700V	585V

Spare plug-in Modules: 275V - 952010, Spark Gap: 952060

### Surge Arrester: Class 2

Over Current Protection Required. Fixed format with flag indication. Maximum backup fuse: 125A.



900453

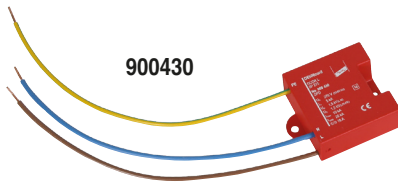
900463

Code	Description	Mounting Rail	In (8/20μs)	I <sub>max</sub> (8/20μs)	Poles Protected	Up	Un
900453	DEHNGuard Basic TT 2P	DIN/Samite	5kA	10kA	2	≤1.2kV	230V
<b>NEW</b> 900463	DEHNGuard Basic	DIN	10kA	20kA	4	≤1.3kV	230V/400V

### Surge Arrester: Class 2

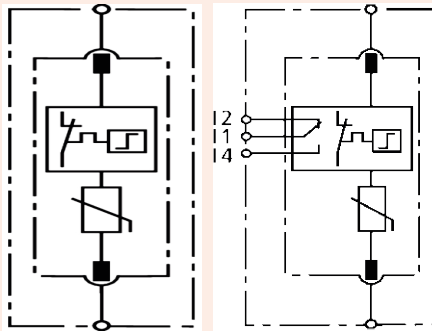
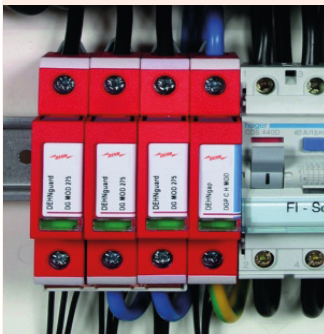
Ideal for Gate Motor, Alarm Protection or Protection of LED Lighting.

Fixed format with flag indication. Maximum backup fuse: 25A.



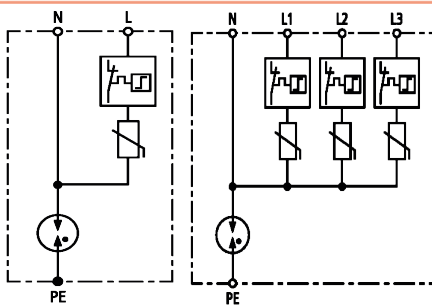
900430

Code	Description	In (8/20μs)	I <sub>max</sub> (8/20μs)	Poles Protected	Up	Uc
900430	DEHNcord L 2P	5kA	10kA	1PH +N	≤1500V	230V



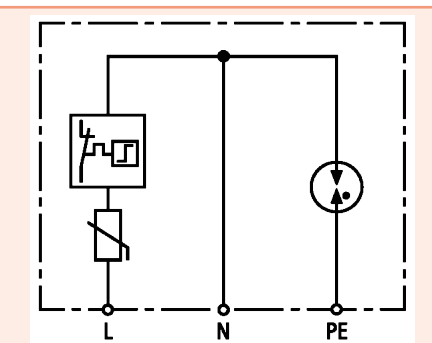
#### DEHNGUARD S

- Multi-purpose surge arrester consisting of a base part and a plug-in protection module.
- High discharge capacity due to heavy-duty zinc oxide varistor
- High reliability due to "Thermo Dynamic Control" SPD monitoring device
- Energy coordination with other arresters of the Red/Line product family
- Operating state / fault indication by green / red indicator flag in the inspection window
- Easy replacement of protection modules due to module locking system with module release button



#### DEHNGUARD BASIC

- High reliability due to "Thermo Dynamic Control" monitoring system
- Easy installation and retrofitting thanks to narrow design (width of 18 / 36 mm)
- Application-optimised discharge capacity of 5 kA (I<sub>n</sub>) / 10/20 kA (I<sub>max</sub>) (8/20 μs) per pole
- Energy coordination with other arresters of the Red/Line family
- Operating state / fault indication by green / red indicator flag in the inspection window



#### DEHNCHORD L

- Single-pole surge protective device with monitoring system and disconnecter
- Visual fault indication
- Compact design also for outdoor use
- Can be fitted in junction boxes, flush-mounted systems, cable ducts and flush-type boxes

# PHOTOVOLTAIC SYSTEM PROTECTION



952515

## Photovoltaic Arrester with Integrated DC Fuse: Class 2

Combined disconnection and short circuiting device with safe isolation in the plug-in module prevents fire damage caused by DC arcing (patented SCI principal).

Code	Description	In (8/20μs)	Imax (8/20μs)	Aux	Up	UcPV	Replacement Modules	
							+/-	
952518	DEHNGuard M YPV SCI 150 FM	10kA	20kA	Yes	≤ 0.8kV	150V	952055	952045
952515	DEHNGuard M YPV SCI 1000 FM	12.5kA	25kA	Yes	≤ 4kV	1000V	952051	952041
952517	DEHNGuard M YPV SCI 1200 FM	12.5kA	25kA	Yes	≤ 4.5kV	1200V	952054	952044

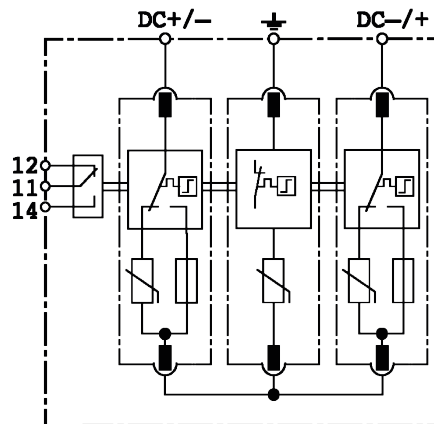
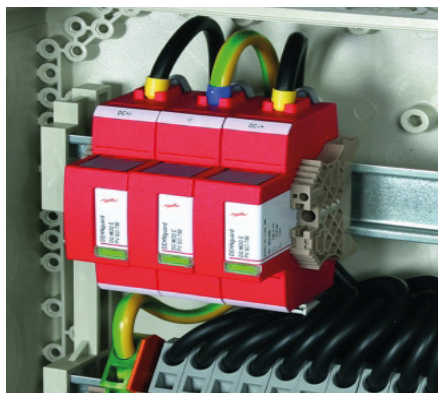


952565

## Photovoltaic Arrester: Class 2

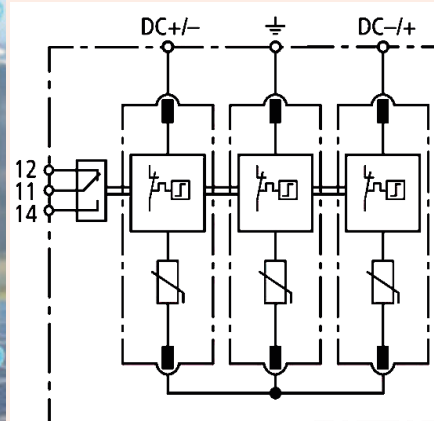
Plug-in with flag indication. High reliability due to "Thermo-dynamic Control" SPD monitoring device.

Code	Description	In (8/20μs)	Imax (8/20μs)	Aux	Up	UcPV	Replacement Modules	
							+/-	
952565	DEHNGuard M YPV 1200 FM	20kA	40kA	Yes	≤ 4kV	1170V	952048	
952567	DEHNGuard M YPV 1500 FM	15kA	40kA	Yes	≤ 5kV	1500V	952049	



### DEHNGUARD YPV SCI

- Prewired modular complete unit for use in photovoltaic systems consisting of a base part and plug-in protection modules
- Combined disconnection and short-circuiting device with safe electrical isolation in the protection module (patented SCI principle)
- Tried and tested fault-resistant Y circuit of DEHNGuard M YPV SCI (FM) prevents damage to the surge protective device in case of insulation faults in the generator circuit



### DEHNGUARD M YPV

- Prewired complete unit for photovoltaic systems consisting of a base part and plug-in protection modules
- Fault-resistant Y circuit with three heavy-duty varistors prevents damage to the surge protective device in case of insulation faults in the generator circuit
- High reliability due to "Thermo Dynamic Control" disconnecter
- Fault indication by red indicator flag in the inspection window

## PHOTOVOLTAIC SYSTEM PROTECTION

NEW



900070

### Photovoltaic Arrester with Integrated DC Fuse: Class 1+2

Combined lightning and surge arrester for use in photovoltaic power supply systems. Fault-resistant Y circuit prevents damage to the surge protective device in case of insulation faults in the generator circuit.

Code	Description	In (8/20 $\mu$ s)	I <sub>max</sub> (8/20 $\mu$ s)	I <sub>imp</sub> (10/350 $\mu$ s)	I <sub>tot</sub> (10/350 $\mu$ s)	Aux	Up	U <sub>cpv</sub>
900070	DEHNcombo DCB YPV 1200	20kA	40kA	6.25kA	12.5kA	No	≤3.8kV	≤1200V
900075	DEHNcombo DCB YPV 1200 FM	20kA	40kA	6.25kA	12.5kA	Yes	≤3.8kV	≤1200V
900071	DEHNcombo DCB YPV 1500	20kA	40kA	6.25kA	12.5kA	No	≤4.5kV	≤1500V
900076	DEHNcombo DCB YPV 1500 FM	20kA	40kA	6.25kA	12.5kA	Yes	≤4.5kV	≤1500V

NEW



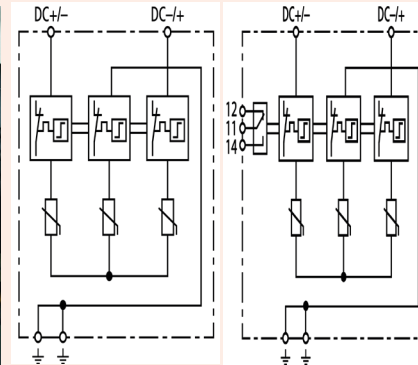
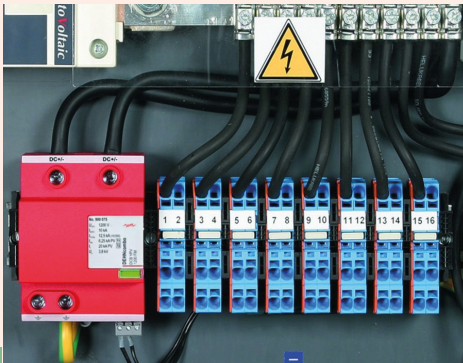
950530

### Photovoltaic Arrester: Class 2

Multipole surge arrester with three-step D.C. switching device for use in PV systems.

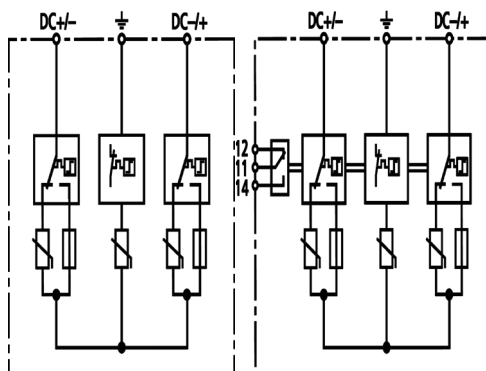
Code	Description	In (8/20 $\mu$ s)	I <sub>max</sub> (8/20 $\mu$ s)	Aux	Up	U <sub>CPV</sub>
950530	DEHNguard YPV SCI 1000	12.5kA	25kA	No	≤ 4kV	1000V
950531	DEHNguard YPV SCI 600	12.5kA	25kA	No	≤ 2.5kV	600V
950535	DEHNguard YPV SCI 1000 FM	12.5kA	25kA	Yes	≤ 4kV	1000V
950536	DEHNguard YPV SCI 600 FM	12.5kA	25kA	Yes	≤ 2.5kV	600V

### DEHNCOMBO



- Prewired type 1 + type 2 combined lightning current and surge arrester for use in photovoltaic generator circuits
- Rated voltage is the same for all modes of protection and, therefore, the arrester can also be used in earthed systems
- Space-saving enclosure with a width of only four modules for up to 1500 VDC
- Operating state / fault indication by green / red indicator flag in the inspection window

### DEHNGUARD YPV SCI



- Prewired complete unit for use in photovoltaic systems
- Combined disconnection and short-circuiting device with safe electrical isolation (patented SCI principle)
- Tried and tested fault-resistant Y circuit of DEHNguard Y PV SCI prevents damage to the surge protective device in case of insulation faults in the generator circuit

# SURGE PROTECTION DEVICES



## DIN Mount Base - for Protection Modules

Code	Description
920300	Base Blitzductor 4P - Without Signal Interruption
926304	Base Blitzductor 4P - Signal Interrupted if Module Removed

## Blitzductor Protection Modules

Code	Description	I imp Tot. (10/350µs)	In (8/20µs)	Cut-off Freq.	Poles Protected	Un	Uc
<b>Class 1 BD - 1 Pair of unearthed balanced interfaces with direct or indirect shield earthing</b>							
920240	Blitzductor XT ML2 BD S5	9kA	20kA	1.0MHz	4	5V	6V
920242	Blitzductor XT ML2 BD S12	9kA	20kA	2.8MHz	4	12V	15V
920244	Blitzductor XT ML2 BD S24	9kA	20kA	7.8MHz	4	24V	33V

## Class 1 BD - 2 Pairs of unearthed balanced Interfaces

920340	Blitzductor XT ML4 BD 5	10kA	20kA	1.0MHz	4	5V	6V
920342	Blitzductor XT ML4 BD 12	10kA	20kA	2.8MHz	4	12V	15V
920344	Blitzductor XT ML4 BD 24	10kA	20kA	7.8MHz	4	24V	33V

## Class 2 BE - Unbalanced Interfaces or 4 lines with common reference potential

926324	Blitzductor SP M4 BE 24	1kA	20kA	6.8MHz	4	24V	33V
--------	-------------------------	-----	------	--------	---	-----	-----

## Class 2 BD - 1 Pair of balanced interfaces with galvanic isolation

926242	Blitzductor SP M2 BD 12	1kA	20kA	2.8MHz	2	12V	15V
--------	-------------------------	-----	------	--------	---	-----	-----

## Class 2 BD - 2 Pairs of unearthed balanced Interfaces

926344	Blitzductor SP M4 BD 24	1kA	20kA	7.8MHz	4	24V	
--------	-------------------------	-----	------	--------	---	-----	--

## Class 1+ 2 BD - 1 Pair of unearthed balanced Interfaces c/w 2P DIN Mount base

<b>NEW</b> 927244	Blitzductor ML2 BD 24	3kA	10kA	5.8MHz	2	24V	36V
-------------------	-----------------------	-----	------	--------	---	-----	-----

- 6mm replacement module with visual life-check status indication
- Spare plug-in protection module: **927 044**

## Protection for Telecommunication and Data Networks (PoE IEEE 802.3at)

Code	Description	I imp (10/350µs)	In (8/20µs)	Cut-off Freq.	Uc	Input/Output
929121	DEHNpatch M CLE RJ45B 48	0.5kA	10kA	250MHz	48V	RJ45 (Sockets)
929126	DEHNpatch M CLD RJ45B 48	0.5kA	10kA	100MHz	48V	RJ45 (Sockets)
<b>NEW</b> 929161	Dehnpatch CL8 EA 4PPOE	0.5kA	10kA	500MHz	3.3 V	RJ45 (Sockets)

## Protection for Data Networks and Ethernet Applications Outdoor IP66

Code	Description	I imp (10/350 µs)	I tot (8/20 µs)	Cut-off freq	Uc	Input/Output
<b>NEW</b> 929221	DEHNpatch CLE IP66	0.8kA	10kA	250 MHz	6V	RJ45 Sockets

## Protection for Coaxial Equipment - BNC

Code	Description	In (8/20µs)	Freq.	Impedance	Mounting	Uc	Un
929010	UGKF BNC	2.5kA	0-300MHz	50/75Ω	In-Line	8V	5V
909711	DEHNgate BNC VC	2.5kA	0-300MHz	50Ω	DIN Rail Mount	8V	5V



Leading manufacturer, importer, and distributor of high-quality electrical and solar products tailored for both industrial and residential sectors. With an extensive network of distributors and franchises spanning across South Africa, we ensure superior service and widespread availability of our products, that meets the highest standards of performance and innovation.

#### LONGMEADOW

26 Nguni Drive  
Longmeadow Business  
Estate West, Edenvale  
Gauteng

010 202 3300

info@acdc.co.za

#### GERMISTON

Sharland Street  
Driehoek  
Germiston  
Gauteng

011 418 9600

germiston@acdc.co.za

#### RIVERHORSE

6 Riverhorse Close  
Riverhorse  
Valley Business Estate  
Durban

031 492 4800

rvh@acdc.co.za

#### PINETOWN

Unit 10  
Pine Industrial Estate  
Pineside Road  
New Germany

031 700 4215

kzn@acdc.co.za

#### CAPE TOWN

3(b) Richmond Southern  
Close, Lenie Adams Ave  
Richmond Park

021 492 2000

cape@acdc.co.za

National Sales Centre: **010 202 3400** | Technical: **010 202 3500** | Solar Hotline: **010 045 8002**



 [acdc.co.za](http://acdc.co.za)



© 2026 ACDC Dynamics (Pty) Ltd. All rights reserved. ACDC Dynamics® is a registered trademark of ACDC Dynamics (Pty) Ltd. All trademarks are the property of their respective owners.

AC/DC SFC DEHN



2nd Edition March 2026

Note that specifications may undergo updates without prior notification in this publication. © ACDC Dynamics

**ACDC**  
 **DYNAMICS**

THINK ELECTRICAL